

# AV3125/AV5125

3 or 5 Megapixel H.264 MegaView™ IP Camera

**GepaNet**  
<http://www.gepanet.com>

**Arecont Vision**  
megapixel technology...  
beyond imagination

**AV3125** 3MP H.264 Day/Night w/ IR Illuminator  
**AV3125DN** 3MP H.264 Day/Night

**AV5125IR** 5MP H.264 Day/Night w/ IR Illuminator  
**AV5125DN** 5MP H.264 Day/Night



The **First** 5MP IR Bullet Style  
Camera on the Market

The **Fastest** Frame Rate at 5MP  
Resolution on the Market:  
**14fps@ 5MP**

**GepaNet**

<http://www.gepanet.com>

### Arecont Vision Advantages:

- All-in-one MegaView® IR camera Solution
- IP66 and vandal resistant housing
- H.264 (MPEG4 Part 10) Compression Standard
- External lens adjustment (Plug-n-play)
- Easily adjustable 3-axis bracket
- IR LED configuration exceeds the market standard
- Fastest MegaPixel Image Rates
- Superior Low Light Performance • Unparalleled High Definition Resolution
- PSIA Compliance
- Privacy Mask
- Extended Motion Detection Grid
- Flexible Cropping
- Bit Rate Control
- Multi-Streaming
- Forensic Zooming

Made in USA



**Model Numbers:**

- AV3125IR** 3MP H.264 Day/Night w/ IR Illuminator
- AV3125DN** 3MP H.264 Day/Night
- AV5125IR** 5MP H.264 Day/Night w/ IR Illuminator
- AV5125IR** 5MP H.264 Day/Night

**Imaging**

- 3 megapixel CMOS image sensor (AV3125)
- 5 megapixel CMOS image sensor (AV5125)
- Full resolution: 2592(H) x 1944(V) pixel array
- 1/2.5" optical format
- 2.2 µm pixel pitch
- Bayer mosaic RGB filter
- Minimum illumination of:
  - Color: 0.3 Lux @ F1.4
  - Day/Night: 0 Lux, IR sensitive
- Dynamic range 70.1 dB
- Maximum SNR 44.1 dB

**Full Field of View (FOV) Resolution**

Model Numbers	Full FOV Resolution	1/4 Resolution
<b>AV3125IR/DN</b>	3MP 2048(H) x1536(V)	1024(H) x768(V)
<b>AV5125IR/DN</b>	5MP 2592(H) x1944(V)	1296(H) x972(V)

**Cropped (FOV) Resolution**

Flexible Cropping - Crop to 2 pixels in H.264 and 1 pixel in JPEG

- 2560x1600 QWXGA (AV5125)
- 2048x1536 3MP (AV5125)
- 1920x1080 HDTV-1080p
- 1600x1200 2MP
- 1280x1024 1.3MP
- 1280x720 HDTV - 720p
- 640x480 VGA

**Data Transmission**

- Video frame rate up to:
  - 14fps @ 2592x1944
  - 16.5fps @ 2560x1600
  - 20fps @ 2048x1536
- Compression type
  - H.264 (MPEG4, Part 10)
  - Motion JPEG
  - 21 levels of quality
- TFTP, HTTP, RTSP, RTP/TCP, RTP/UDP image transmission protocols
- 100Base-T Ethernet Network Interface
- Data rate
  - bit rate control from 100Kbps to 10Mbps
  - unthrottled data rate up to 55Mbps
- Multi-streaming: 8 non-identical streams

**Electrical**

- General purpose opto-coupled input and output ( DN version only)
- General purpose opto-coupled input ( IR version only)
- Power over Ethernet (PoE): PoE 802.3af for camera
- Auxiliary power 12-48V DC, 24V AC for IR illuminator, heater and blower and camera
- Power consumption:
  - 4.9 Watts maximum ( DN version )
  - 7.9 Watts maximum ( IR version )

**Heater and Blower Electrical**

- Voltage Input: 12V to 48V DC or 24V AC (separate power required)
- Power Output:
  - 10W Max (DC12V)
  - 28.8 W Max ( AC24V)
- Switch: On: 4C° (39.2 °F), Off: 7°C (44.6 °F)

**Programmability**

- Privacy mask
- Flexible cropping
- Auto Exposure (AE) and Gain Control (AGC) >120dB
- On-camera real-time motion detection with 1024 detection zones
- Auto backlight compensation
- Auto multi-matrix white balance
- 50/60Hz selectable flicker control
- Electronic pan, tilt, zoom (PTZ)
- Electronic image flip - 180 degree rotation
- Resolution windowing down to 1x1 pixel for JPEG and 2x2 pixels for H.264
- Programmable shutter speed to help control motion blur
- MoonLight™ mode - extended exposure and proprietary noise cancellation
- Programmable resolution, brightness, saturation, gamma, sharpness, tint
- Picture-in-Picture: simultaneous delivery of full field of view and zoomed images
- Bandwidth & storage savings by running at 1/4 resolution

**Regulatory Approvals**

- FCC, CE, RoHS, cULus

**Industry standard**

- PSIA compliance

**Environmental**

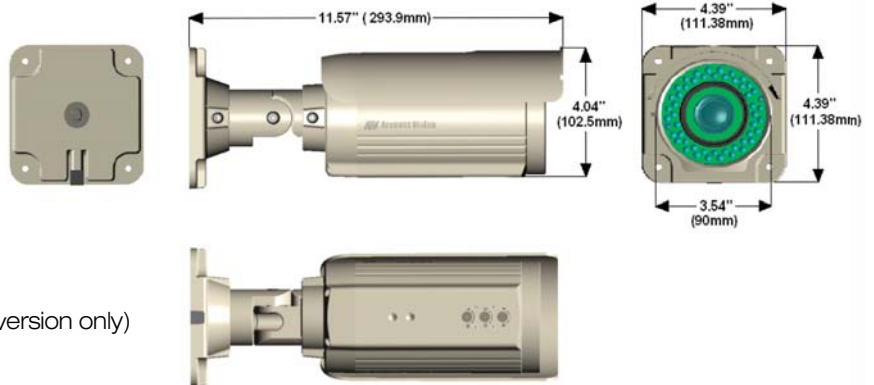
- IP66 weatherproof standard
- Operating temperature -30°C (-22 °F) to + 60°C (140 °F)
- Stable image Temperature -10°C (14 °F) to + 50°C (122 °F)
- Storage temperature -30°C (-22 °F) to + 60°C (140 °F)
- Humidity 0% to 90% (non-condensing)

**IR Illuminator**

- Voltage Input: 12V to 48V DC or 24V AC (separate power required)
- 48 pcs 850nm LEDs / 25 meter IR distance (max) / 45° IR angle
- 3 watts power consumption

**Mechanical**

- Easily adjustable 3-axis bracket
- Vandal resistant aluminum cylindrical (Bullet-style) housing
- External lens adjustment including zoom, iris and focus
- 4"W (102 mm) x 4.3"H (111 mm) x 11.5"D (293mm)
- 3.74 lbs (1.69kg)



**Lens**

- 4.5 - 10 mm vari-focal lens with IR corrected
- Max Aperture: F1.6
- Horizontal F.O.V.
  - AV3125 = 26°-56°
  - AV5125 = 33°-71°

**Accessories:**

- MV-EBA - Indoor/Outdoor Electrical Box Adapter
- MD-PMA - Indoor/Outdoor Pole Mount Adapter
- MD-CRMA - Indoor/Outdoor Corner Mount Adapter