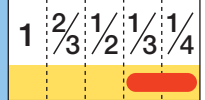




**For Security
Vari-Focal**

Applicable camera (model)

YV2.2x1.4A-SA2

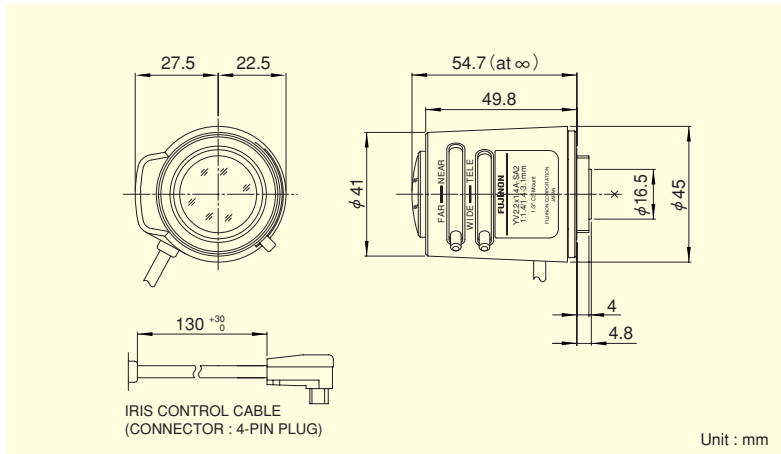


- VARI
Vari-Focal
- Fish-Eye
185
- DC
DC Auto Iris
- CS-mt
CS Mount
- ND
ND Filter
- 230
Long Cable
- F1.4
Wide Aperture Rate

Fish-Eye 2.2x

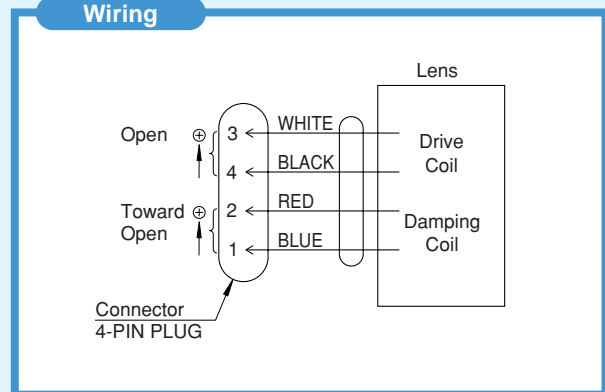


- Fish-Eye vari-focal lens with the horizontal field angle of 185-94 degrees (when used on 1/3 cameras).
- Wide aperture of F1.4, optimizing the performance at low lighting intensity.
- Built-in ND filter of T360, supporting high sensitivity cameras.

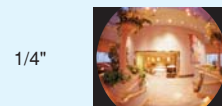
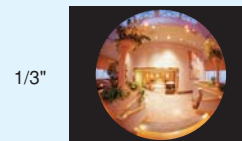


VARI-FOCAL LENSES

Focal Length (mm)		1.4~3.1 (2.2x)	
Iris Range		F1.4 ~ T360 (Equivalent to F360)	
Operation	Zoom	Manual	
	Focus	Manual	
	Iris	Auto (DC Type) (*1)	
Angle Of View (HxV)	1/3"	WIDE	185° (φ3.45)
		TELE	94°47' X 69°26'
	1/4"	WIDE	185° X 121°
		TELE	69°26' X 51°30'
Focusing Range (From Front Of The Lens) (m)		∞ ~ 0.2	
Object Dimensions at M.O.D. (HxV) (mm)	1/3"	WIDE	—
		TELE	448 X 287
	1/4"	WIDE	—
		TELE	287 X 200
Back Focal Distance (in air) (mm)		7.82	
Exit Pupil Position (From Image Plane) (mm)		-45	
Filter Thread (mm)		—	
Mount		CS	
Mass (g)		80	
Coil Resistance		Drive Coil	200Ω
		Damping Coil	600Ω
Current Consumption		22mA (Max.) at DC 4V	
Remarks		(*1) When power is turned off, iris will automatically close. YV2.2x1.4A-SA2L : Long Cable Type (230mm)	



[Fish-Eye Lens Image]



GepaNet
<http://www.gepanet.com>

FUJINON CCTV LENS

GepaNet
88142 Wasserburg
Wiesenstraße 12
Tel +49 8382 9479825
Fax +49 8382 9479826
Mail: info@gepanet.com
WEB: www.gepanet.com